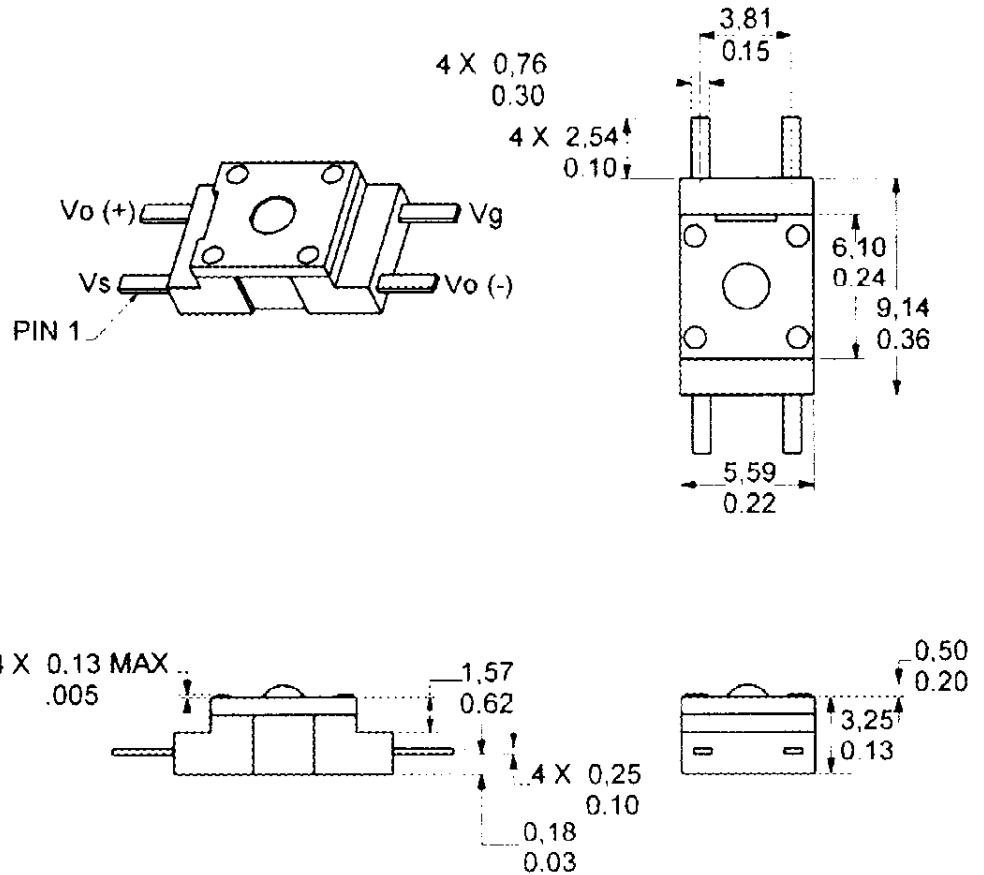


MOUNTING DIMENSIONS (for reference only)



PERFORMANCE CHARACTERISTICS @ 5.0 ±0.01 Excitation, 25°C

Parameter	Min.	Typ.	Max.	Units
Excitation*	—	5.0	12	VDC
Null offset	-15	0	15	mV
Operating Force	0	—	500	grams
Sensitivity	0.1	0.12	0.14	mV/gram
Linearity (B.F.S.L.)**	—	±10	—	grams
Repeatability @ 300 g	—	±10	—	grams
Null Shift				
+25°C to 2°C, +25°C to +40°C	—	±0.5	—	mV
Sensitivity Shift				
+25°C to 2°C	—	0.012	—	mV/gram
+25°C to +40°C	—	-0.012	—	mV/gram
Input Resistance	4.0 K	5.0 K	6.0 K	Ohms
Output Resistance	4.0 K	5.0 K	6.0 K	Ohms
Overforce	—	—	4,500	grams
ESD (Direct contact, terminals and plunger)	10	—	—	kVolts

ENVIRONMENTAL SPECIFICATIONS

Operating Temperature	+2°C to +40°C (+36°F to +104°F)
Storage Temperature	-40° to +70°C (-40° to +158°F)
Vibration	Qualification tested to 10 Hz to 2 kHz, 20 g sine
Shock	Qualification tested to 150 g, 6 ms, half-sine
MCTF	7 million
Solderability	5 sec at 315°C per lead
Output ratiometric	Within Supply Range

**B.F.S.L.—Best Fit Straight Line

Note: All force related specifications established using dead weight or compliant force.